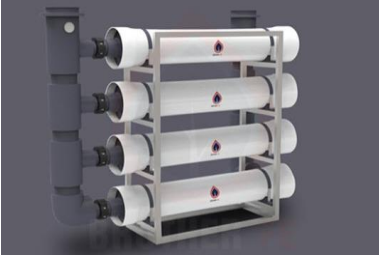




Max-T High Flow FRP Cartridge System

DATE: December 12th, 2017

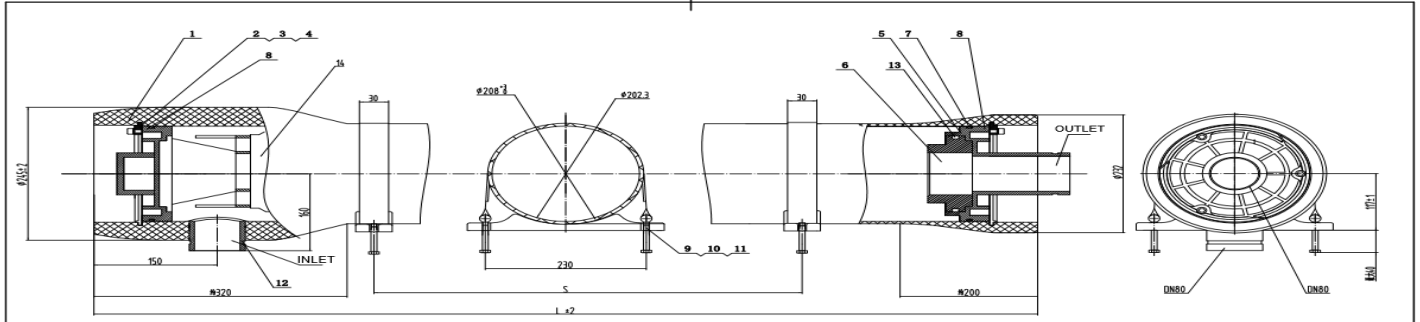
| Max-T High Flow FRP Cartridge System Specifications---Single High Flow Filter Element for each FRP Housing | | |
|--|---|--------------------------------|
|  | Service | SWRO DESALINATION |
| | Micron Ratings | 5micron |
| | Diameter of Cartridge | 6.75inch/170 mm |
| | Length | 60inch |
| | Suggested Pressure Drop for Element Replacement | 1.5 bar |
| | Max. Temperature | ~70°C |
| | Max. Pressure | 150 Psi / 10 Bar |
| | Max Fow Rate | 113m3/hr |
| | Recommend Flow Rate | 57m3/hr |
| | EFFECTIVE Membrane Area of Cartridge | 13.8m2 per 60inch HF cartridge |
| | Flow Direction of Filter System | Side in, end out |
| | Flow Direction of Filter Cartridge | Outside-in |

Eg. 160m3 /hr Flow Capacity would need 3*Max-T High Flow FRP Cartridge System as below

| Brother Filtration Catalogue# | Description | Qty (Pcs) |
|---|---|-----------|
| MF 80-150S-60-MAX-T  | FRP CARTRIDGE HOUSING Length: 60inch Inlet/Outlet Connection: 3inch/DN80 Design Pressure:150psi (10bar) Body Shell Material: FRP Side Port Material: Nylon End Caps Material: ABS Flow Direction: Side in, End out Remarks: Price Including all Accessories | 3 |
| BF-HFT-60--PP-N5-E  | MAX-T HIGH FLOW CARTRIDGE Filter Media: Polyppropylene Inner Core/Outer Netting/ End Caps:Polyppropylene Oring:EPDM Length:60inch Outer Diameter: 6.75inch Micron Rating: 5 micron | 3 |

| Advantage of MAX-T FRP System | Applications |
|--|--|
| <ul style="list-style-type: none"> • High Flow Loading Capacity • Easy installation and maintenance • FRP housing designed for high chemical resistance • Designed for compact use and small footprint • Competitive Investment Brother Filtration FRP systems utilize performance engineered FRP housings designed for corrosion resistant that potentially reduce your capital start-up costs over typical steel vessels by up to 50%. <ul style="list-style-type: none"> • Low Installation/Operation/Maintenance Costs | <ul style="list-style-type: none"> • Pretreatment • RO Prefiltration • Seawater desalination • Condensate water filtration • Hot water recovery in power generation • API, Solvents, and water filtration in Biopharma market • Bottled water filtration • High fructose, edible oil, soft drinks and milk • Paints and coatings • Petrochemical and Refineries • Microelectronics, Film, Fiber and resin |





| NO | NAME | QTY | MATERIAL | MARK |
|----|---------------|-----|----------------|---------|
| 14 | THRUST RING | 1 | ABS | |
| 13 | SEAL O-RING | 1 | EPDM | 136x7 |
| 12 | SIDE PORT | 1 | PLASTIC | |
| 11 | SADDLE | 2 | RUBBER | |
| 10 | STRAP SCREW | 4 | 304 SUS | M8*90 |
| 9 | STRAP | 2 | 304 SUS-RUBBER | |
| 8 | END CAP | 1 | ABS | |
| 7 | SEAL O-RING | 3 | EPDM | 190x5.3 |
| 6 | THRUST RING | 1 | NYLON | |
| 5 | INLET END CAP | 1 | ABS | |
| 4 | BLOCK PLATE | 6 | 304 SUS | |
| 3 | SPRING PORT | 6 | 304 SUS | Φ8 |
| 2 | LOCKING KIT | 6 | 304 SUS | M8x16 |
| 1 | VESSEL SHELL | 1 | Epoxy FRP | |

| LENGTH | ITEM NO. | L(MM) | S(MM) | WEIGHT(KG) |
|--------|--------------------|-------|-------|------------|
| 20" | MF80-150S-20-MAX-T | 883 | 260 | 25 |
| 40" | MF80-150S-40-MAX-T | 1390 | 700 | 28 |
| 60" | MF80-150S-60-MAX-T | 1898 | 1200 | 31.5 |

Note:
1. Design Pressure: 1.0MPa (150PSI)
2. Design Temperature: 66°C (150°F)
3. Lowest Temperature: -10°C (14°F)
4. PH of Water: 3-11

BROTHER FILTRATION EQUIPMENT CO., LTD



MAX FLOW FRP HIGH FLOW FILTER VESSEL

BF-MF80-150S-00-MAX-T

UNIT: MM

2017



MATERIALS

| COMPONENT | DESCRIPTION | MATERIAL |
|-----------|------------------|----------------------------|
| HOUSING | Shell | FRP |
| | End caps | ABS |
| | End cap handle | Stainless steel 304 |
| | Inlet | ABS |
| | Side port outlet | Nylon |
| | Locking segment | Stainless steel 304 |
| | Saddle | Rubber |
| CARTRIDGE | Media (membrane) | Polypropylene |
| | Supporting layer | Polypropylene |
| | Seal | EPDM/Silicone/Viton/Buna-N |
| | Inner frame/Core | Polypropylene |
| | Lifting Handles | Polypropylene |
| | Outer Cage | Polypropylene |

Accessories

| ITEM NO. | NAME | QUANTITY |
|----------|-----------------------|----------|
| ① | O-ring | 4 |
| ② | Locking Kit Segments | 6 |
| ③ | End Cap (Handle Side) | 1 |
| ④ | End Cap (Outlet) | 1 |
| ⑤ | Thrust Ring | 1 |
| ⑥ | Connection Part | 1 |
| ⑦ | Saddle | 2 |
| ⑧ | Strap | 2 |
| ⑨ | Couplings | 2 |
| ⑩ | Short Tube | 2 |

